

Section CS1, CS2

Section DS1, DS2

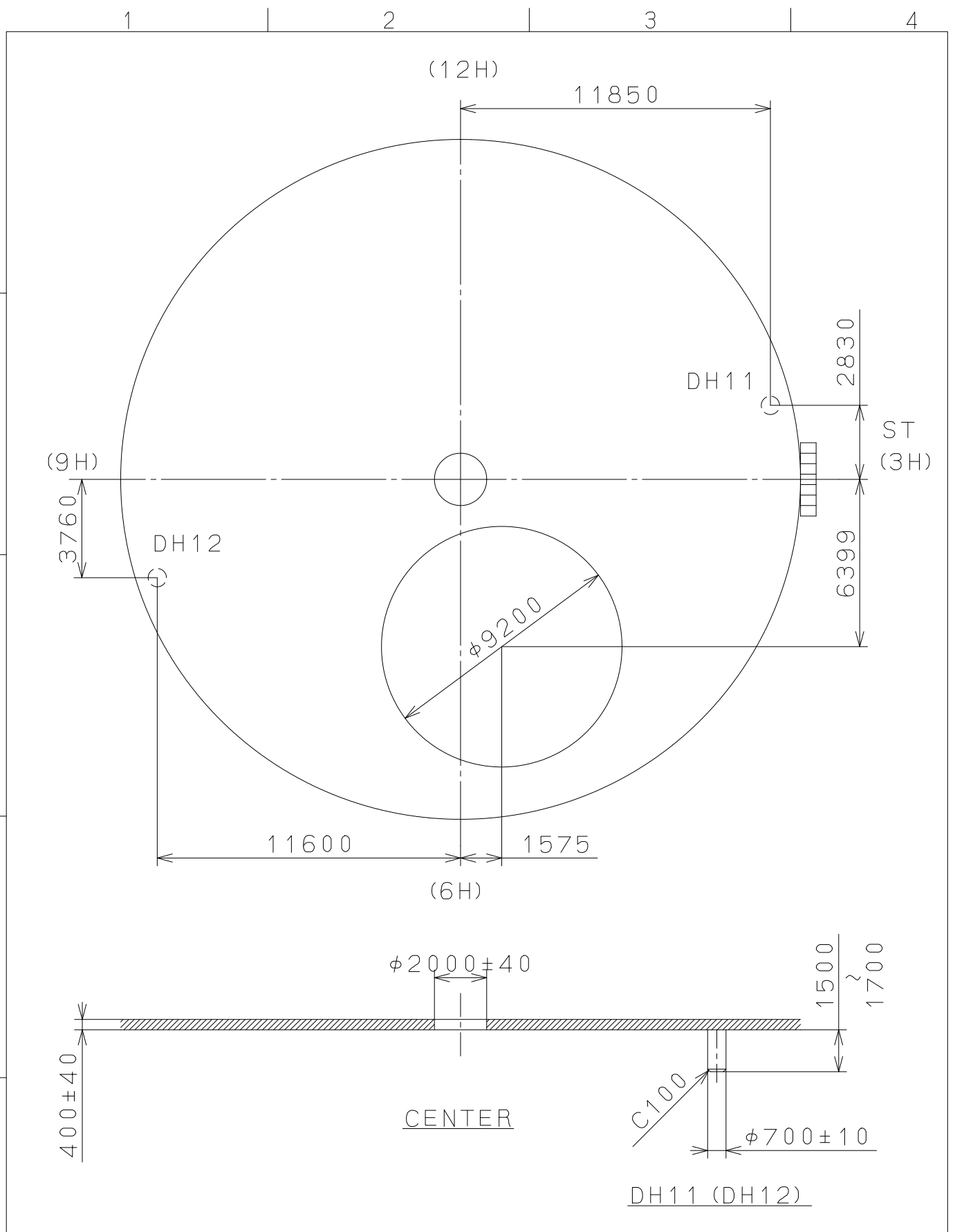
Material	Alterations	Date	Description	Apporo.	Checked	Drawn	N. Suzuki	Name:	Frame for Case
Heat Treatment									Drawing No.: 90SSC001
Hardness									
Plating									
Quantity	Unit	Scale	Date	Drawn	Checked	Drawn	N. Suzuki	Name:	Frame for Case
1	1/1000 mm	6:1							Drawing No.: 90SSC001
Cal. NO.:	90SS5	Parts No.:							

MIYOTA

CITIZEN WATCH CO., LTD. TOKYO, JAPAN

2010/04/23 (10:35:29)

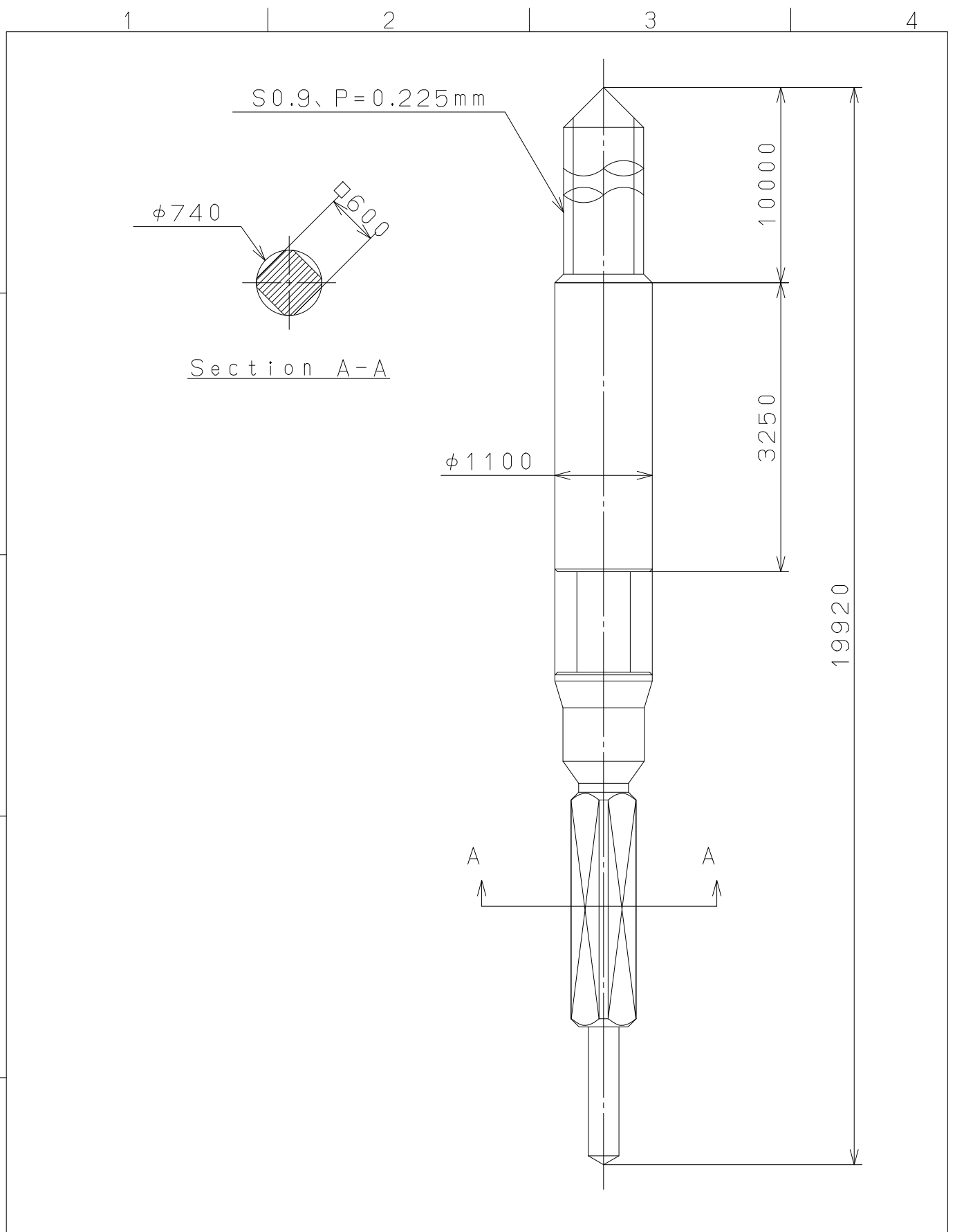
This drawing is provisional and subject to our reconfirmation and/or revision without notice.



△5			Quantity		Cal.NO.:
△4			Unit	1 / 1000 mm	90S5-24A
△3			Scale	5 : 1	Parts No.:
△2			Date		
△1			Drawn		
Mark	Date	Description	Appro.	Checked	Name:
		Alterations		Approved	Indications for Dial
Material					Drawing No.: 90S5D000
Heat Treatment			General	Tolerances	MIYOTA
Hardness			Dimensions		
Plating			Angles		
					CITIZEN WATCH CO., LTD. TOKYO, JAPAN

2009/03/19 (15:03:29)

This drawing is provisional and subject to our reconfirmation and/or revision without notice.



△5			Quantity		Cal.NO.:
△4			Unit	1/1000mm	
△3			Scale	17:1	Parts No.:
△2			Date		065-A05
△1			Drawn		
Mark	Date	Description	Appr.	Checked	Name:
		Alterations	Approved	N. Suzuki	SETTING STEM
Material					Drawing No.: A050S000
Heat Treatment			General	Tolerances	MIYOTA
Hardness			Dimensions		
Plating			Angles		
					CITIZEN WATCH CO., LTD. TOKYO, JAPAN